



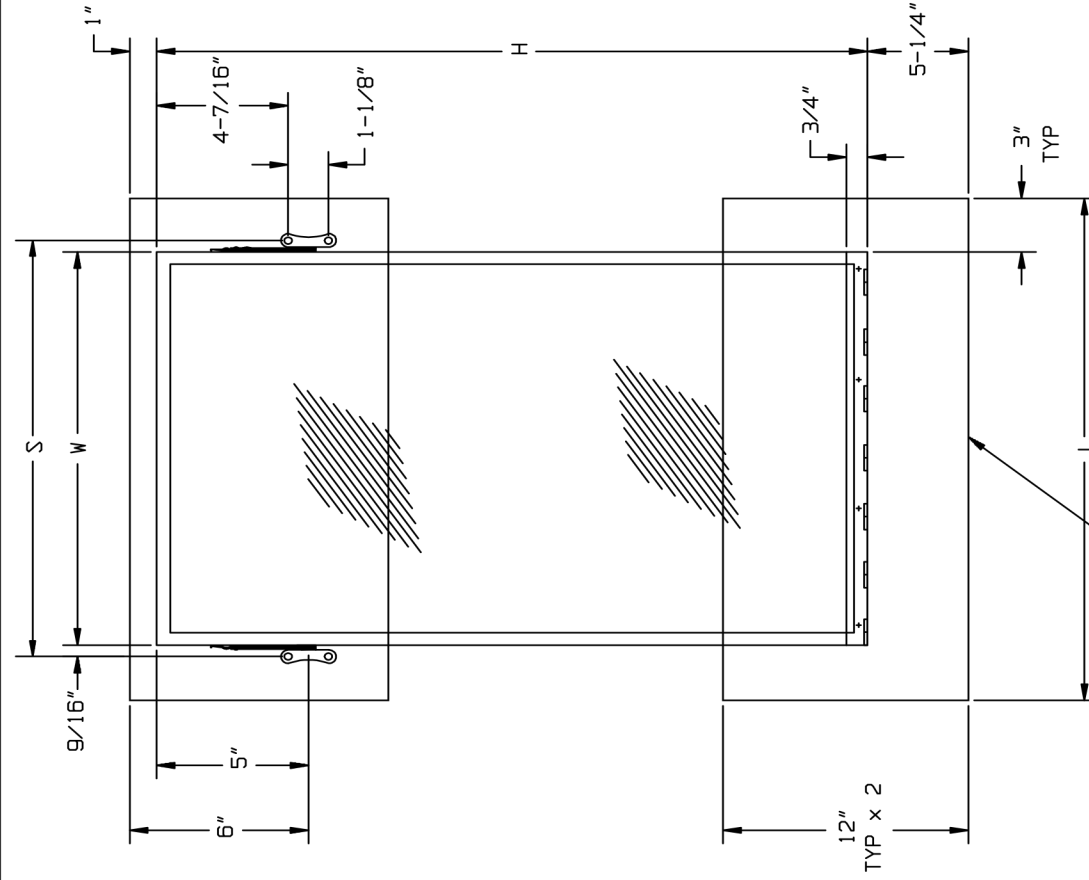
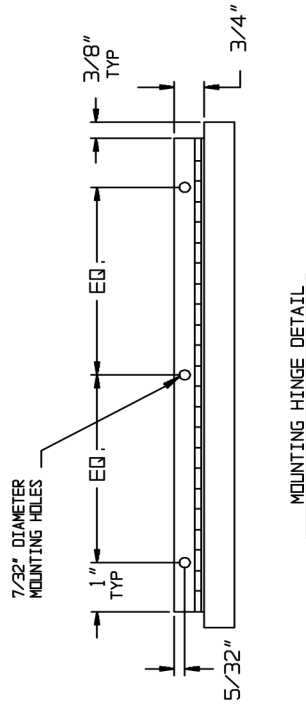
BLOCKING AND MOUNTING GUIDE 0600-T (pg 2 of 2)

TABLE OF STANDARD DIMENSIONS

| SIZES | W ^{+1/8"} _{-0"} | H ^{+1/8"} _{-0"} | (A) S ^{+1/8"} _{-0"} | L |
|---------------|-----------------------------------|-----------------------------------|---------------------------------------|-----|
| 16" x 24" | 16" | 24" | 17-1/8" | 22" |
| 16" x 30" | 16" | 30" | 17-1/8" | 22" |
| 18" x 24" | 18" | 24" | 19-1/8" | 24" |
| 18" x 30" (6) | 18" | 30" | 19-1/8" | 24" |
| 24" x 30" | 24" | 30" | 25-1/8" | 30" |
| 24" x 36" | 24" | 36" | 25-1/8" | 30" |

(C) INSTALLATION PROCEDURE.

PLACE BRACKETS RIGHT AND LEFT OF MIRROR FRAME USING No. 8-32 MACHINE SCREWS (SUPPLIED). SECURE PIANO HINGE TO WALL WITH No. 10 SELF TAPPING SCREWS (SUPPLIED BY OTHERS). MOUNT PIVOT BRACKETS TO WALL WITH FOUR (4) #8 TOGGLE ANCHORS (B.O.). FOR COMPLIANCE WITH ADA ACCESSIBILITY GUIDELINES, BOTTOM EDGE OF REFLECTING SURFACE SHOULD BE NO HIGHER THAN 40" (1016) ABOVE FINISHED FLOOR.



NOTES:

1. FOR NONSTANDARD SIZES COMPUTE S=W+1-1/8"
2. FOR NONSTANDARD SIZES COMPUTE L=W+8"
3. ENSURE MOUNTING IS SECURE AND COMPLIES WITH APPROPRIATE CODES
4. SEE PAGE 1 FOR ORDER ENTRY FORMAT

ASI AMERICAN SPECIALTIES, INC.
441 SAW MILL RIVER ROAD, YONKERS, NY 10701-9986
TEL. (914) 476-9000 FAX. (914) 476-0688

PROJECT NAME _____
LOCATION _____
ARCHITECT _____
CONTRACTOR _____
TITLE _____
DRAWN BY JOSE V. _____
DATE 8/2/95

CONTRACTOR _____
ARCHITECT _____
TITLE _____
DRAWN BY JOSE V. _____
DATE 8/2/95

(A) MOUNTING DIAGRAM FOR 0600-T SERIES

DWG. NO. 0600-TM2

JOB NO. _____

2

CONCEALED BLOCKING TYP x 2
18 GAUGE STEEL SHEET ANCHORED TO DRYWALL STUDS

| | | | | |
|-----|------------|---------------|---------|---------|
| C | SCRS | B.O. | HDH | 1-26-07 |
| B | CORRECTION | JAS | 3-16-05 | |
| A | REISSUE | HDH | 1-21-98 | |
| KEY | REVISION | AUTHORIZED BY | DATE | |



AMERICAN SPECIALTIES, INC.

441 Saw Mill River Road, Yonkers, NY 10701 (914) 476-9000
www.americanspecialties.com

MODEL No: 0600-TM1

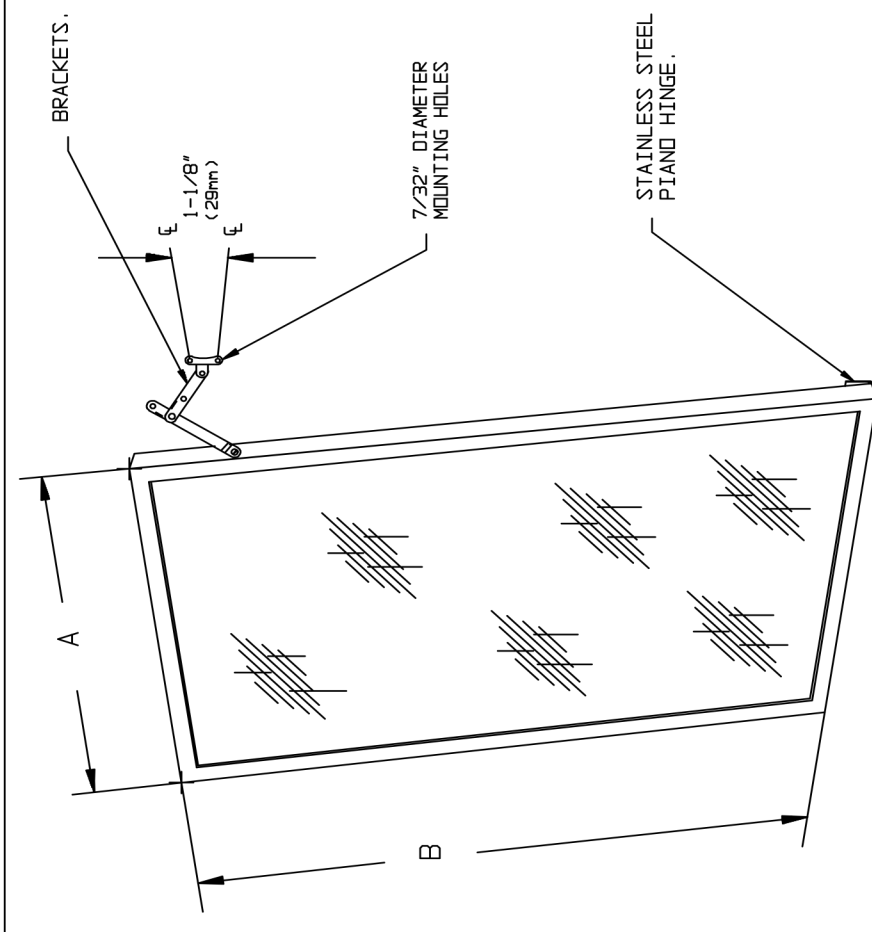
ISSUED: 1-87

REVISED: 5-07

BLOCKING AND MOUNTING GUIDE 0600-T (pg 1 of 2)

NOTES: (A) (B)

1. X = TYPE GLAZING, WHERE -A IS SUPPLIED STANDARD. FOR A COMPLETE DESCRIPTION OF -A OR ANY OTHER AVAILABLE GLAZING SEE THE GLAZING CHART.
2. SEE PAGE 2 FOR WALL REINFORCEMENT.



FOR NONSTANDARD A X B DIM'S, A X B MUST NOT EXCEED 42" X 48"

| | | |
|--|-------------------------------------|-------------------|
| CUST. No. | CUSTOMER NAME | ST. No. |
| CUST. Ptl. No. | | DATE |
| AMERICAN SPECIALTIES, INC. 441 SAW MILL RIVER ROAD, YONKERS, NY 10701-5986 TEL. (914) 476-9000 FAX. (914) 476-0888 | | |
| PROJECT NAME | | |
| LOCATION | | |
| ARCHITECT | | |
| CONTRACTOR | | |
| TITLE ORDER ENTRY FORMAT SPECIFICATION | | |
| (A) | 0600-T ADJUSTABLE TILT FRAME MIRROR | DWG. NO. 0600-TM1 |
| DRAWN BY JOSE V. | JOB NO. | 1 |
| DATE 5/22/95 | | 2 |

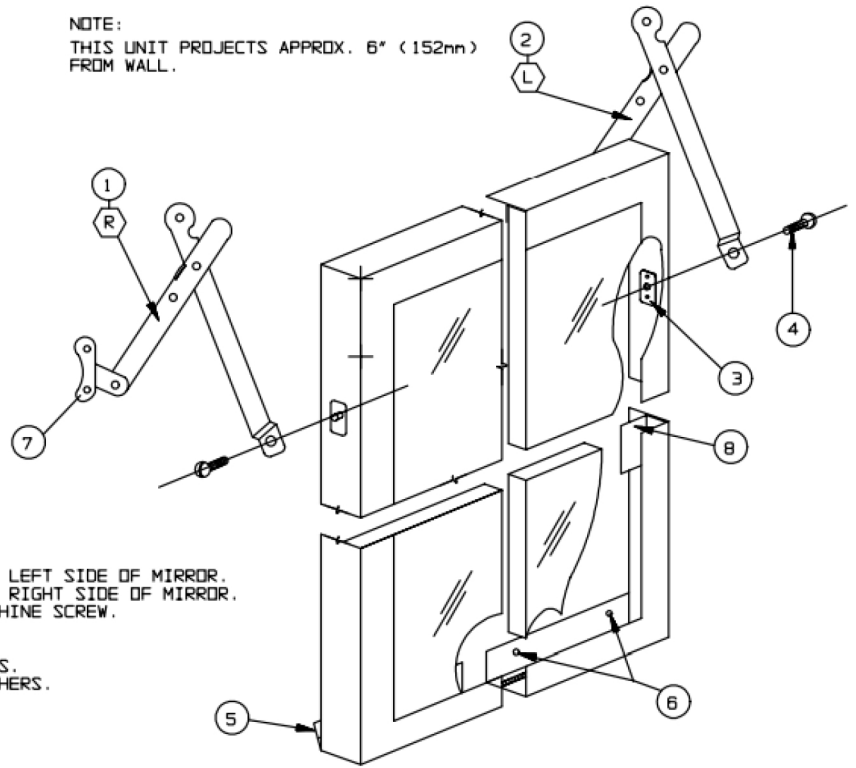
| -M DIMENSIONS | |
|---------------|---|
| A | B |
| | X |

| | | | |
|-----|-----------|---------------|---------|
| B | CHART REF | HDH | 3-26-07 |
| A | REISSUE | HDH | 1-21-98 |
| 1 | NOTES | HDH | 3-1-96 |
| KEY | REVISION | AUTHORIZED BY | DATE |



INTER-LOCK TILTING STAINLESS STEEL FRAMED MIRROR

NOTE:
 THIS UNIT PROJECTS APPROX. 6" (152mm)
 FROM WALL.



DESCRIPTION-

1. R - STAINLESS STEEL BRACKET MARK R. TO BE USED ON LEFT SIDE OF MIRROR.
2. L - STAINLESS STEEL BRACKET MARK L. TO BE USED ON RIGHT SIDE OF MIRROR.
3. WELDED NUT ON INSIDE OF FRAME TO RECEIVE 8-32 MACHINE SCREW.
4. 8-32 MACHINE SCREWS.
5. CONTINUOUS PIANO HINGE ACROSS WIDTH OF FRAME.
6. MOUNTING HOLES ON HINGE - SECURED TO WALL BY OTHERS.
7. MOUNTING HOLES ON BRACKETS- SECURED TO WALL BY OTHERS.
8. CLIPS FOR HOLDING MIRROR.

SPECIFICATION

Inter-Lock Tilting Stainless Steel Framed Mirror shall have frame fabricated of alloy 18-8 stainless steel, type 304, 18 gauge with mitered corners, welded and ground smooth. All exposed surfaces shall be No. 4 satin finish. Tilting control brackets shall be fabricated of stainless steel and shall allow mirror to tilt forward for barrier free utility or hold mirror vertical for normal viewing. Mirror shall have a full length stainless steel 3/16" (5mm) dia. multi-staked piano hinge welded to frame at bottom back edge. Mirror glazing shall be _____ (insert glazing option) and shall be warranted for 15 years for silver spoilage. All mirror edges shall be protected with friction and chafe absorbing fillers. Back of mirror shall be protected by full size shock absorbing water-resistant filler and full size one piece 20 gauge corrosion protected steel.

Inter-Lok Tilting Stainless Steel Framed Mirror shall be Model No 0600-T ____ (insert glazing option) as manufactured by American Specialties, Inc., 441 Saw Mill River Road, Yonkers, New York 10701-4913.

MATERIAL

- Frame:** 18-8, type 304, 18 gauge (.048 in. thick) stainless steel. Unitized all welded construction. Exposed surfaces have satin finish. Edges and corners are burr free
- Glass:** Standard glazing is No 1 quality, 1/4 "inch (6mm) thick plate/float, silver coated and hermetically sealed with a uniform copper plating, and warranted against spoilage for 15 years. Mirrors meet Federal Spec. DD-M411C, ASTM C-1036-91.
- Filler:** Expanded polyethylene microcell foam sheet material, abrasion resistant and shock absorbing, water resistant, 1/8" inch (3mm) total layer thickness.
- Brackets:** Stainless steel alloy 18-8, type 304, 16 gauge, rounded edges with stainless steel hinge pivot and internal lock.

INSTALLATION

Place brackets right and left of mirror frame using No 8-32 machine screws (supplied). Secure piano hinge to wall with No 10 self tapping screws (by others). Mount pivot brackets to wall. For compliance with 2010 ADA Accessibility Standards, bottom edge of reflecting surface should be no higher than 40" (1016mm) above finished floor (A.F.F.).

GLAZING OPTIONS

Units are supplied with 1/4" (6mm) thick plate glass. Other glazing options are available. For a complete description of any other available glazing, see the **MIRROR GLAZING OPTIONS** chart.